

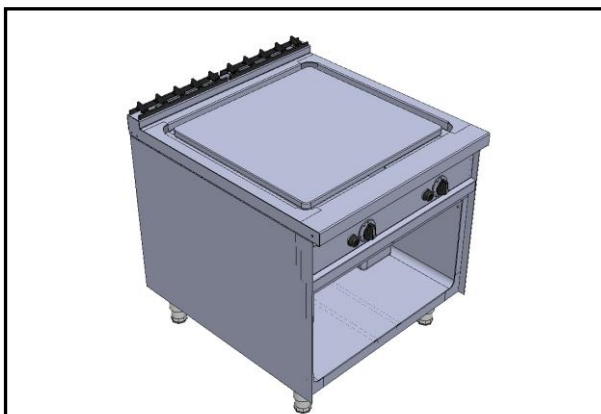


Total Food-Service Solutions

## Modular Cooking –Grandis 900

### Gas Fry Top

#### NGFT 8-90 GR



\*Due to routine technical improvement, the photograph shown may not represent the latest design of the products.

#### AVAILABLE MODEL

1. NGFT 8-90 GR

#### DESCRIPTION

Gas Fry Top with 16 kW or 24 kW (with oven) power rate. Working temperature maintained by thermostat with maximum working temperature of 300°C.

Unit to be installed on open cabinet or similar elements, cantilever, or solid block solutions. Featuring removable clip joint to connect Grandis family product.

ITEM# : \_\_\_\_\_

MODEL# : \_\_\_\_\_

NAME : \_\_\_\_\_

SN : \_\_\_\_\_

#### MAIN FEATURE

- Single zone plancha fry top with Steady State Surface (SSS) heating system.
- Plancha fry top for multipurpose cooking and easier transfer between cooking appliances.
- Uniform heating with 20 mm thick SS420.
- H2 Cabinet Finishing.
- Option of smooth, half grooved, full grooved or mirror finished plancha.

#### CONSTRUCTION

- All exterior panels in 304 type of Stainless Steel
- Orbital top panel anti-scratch finishing.
- Top with 2.0 mm thick surface.
- Side with 0.8 mm thick surface.
- Adjustable ±25 mm Stainless Steel leg.

#### INCLUDED ACCESSORIES

- Extra Nozzle (Main Burner & Pilot Burner)
- Food Pan ½ GN

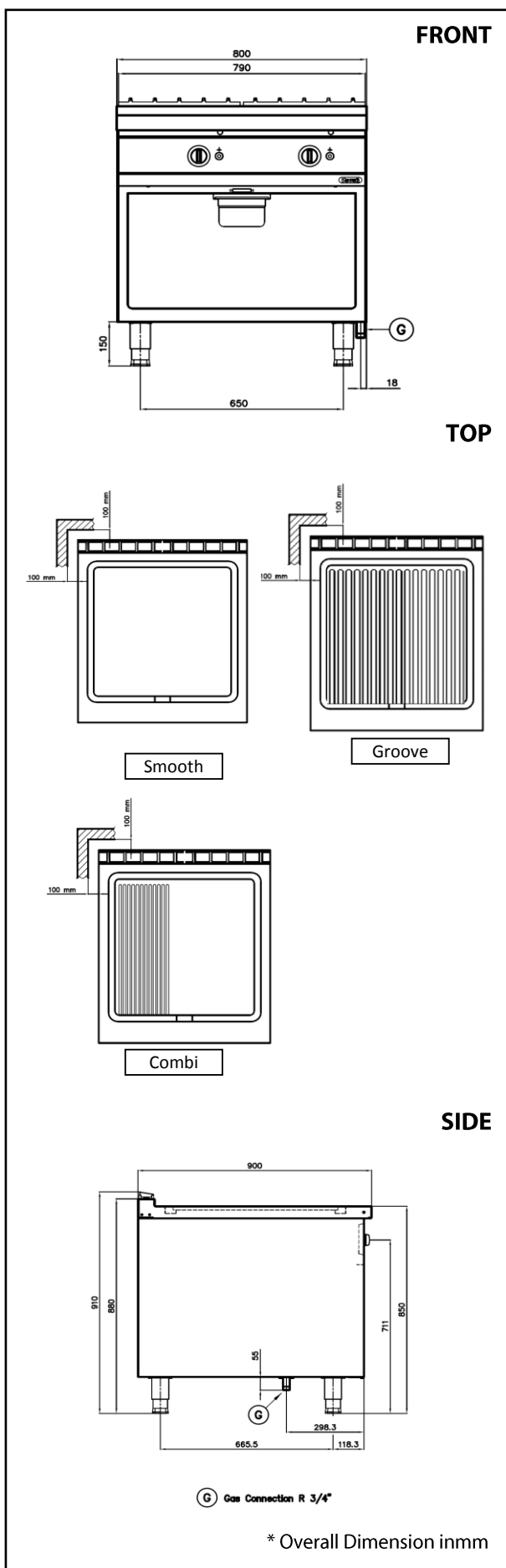
#### OPTIONAL ACCESSORIES

- Scrapper.
- Clip Plate for Joining

\_\_\_\_\_

The company reserves the right to make modifications to the products without prior notice. All information correct at time of printing. 2017.12.06





**GAS**

Gas Power	:	16 kW (13,760kCal/h)
With Oven	:	24 kW (20,640 kCal/h)
Gas Type Option	:	G30/G31, G20
Gas Inlet	:	R 3/4"
Natural Gas-Pressure	:	G20: 20 mbar
LPG Gas Pressure	:	28-30 mbar/ 37 mbar

**KEY INFORMATION**

Cooking Surface Width	:	650 mm
Cooking Surface Depth	:	635 mm
Direct Heat Emission	:	5.60 kW
Direct Heat Emission (Oven)	:	2.80 kW
Latent Heat Emission	:	6.40 kW
Latent Heat Emission (Oven)	:	1.60 kW
Steam Emission	:	9.41 kg / h
Steam Emission (Oven)	:	2.36 kg/h
Min. Working Temperature	:	120°C
Max. Working Temperature	:	280°C
Net weight	:	124 kg
Shipping height	:	1020 mm
Shipping width	:	855 mm
Shipping depth	:	995 mm
Shipping volume	:	0.868 m <sup>3</sup>